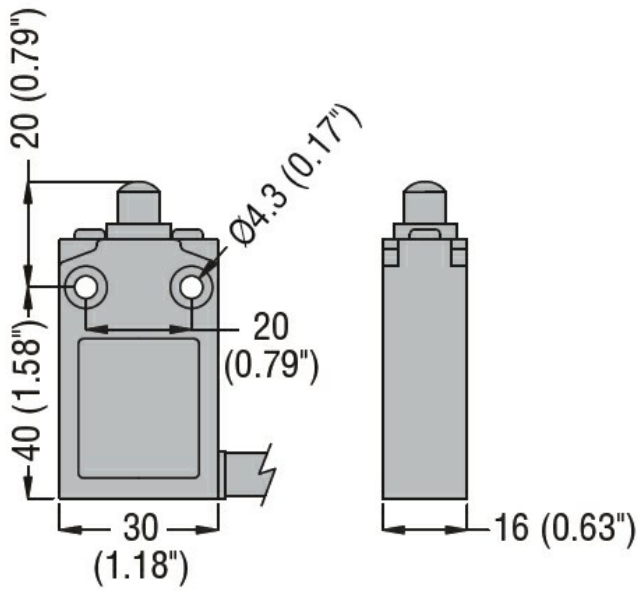


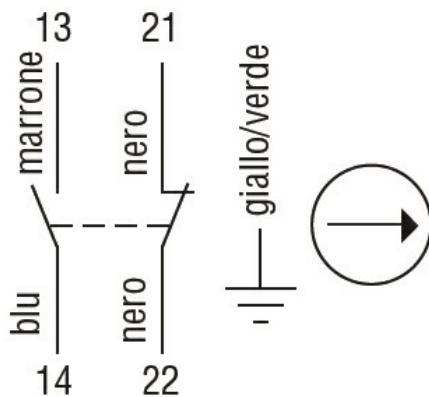


Product designation	Top push rod plunger		
Product type designation	KPA1		
<b>General characteristics</b>			
Material	Housing	Aluminium-zinc alloy	
	Roller	Metal	
<b>Contact characteristics</b>			
Type of contact	1NO+1NC Snap action		
Thermal current I <sub>th</sub>	A	10	
IEC/EN 60947-5-1 designation	B300 R300		
Rated insulation voltage U <sub>i</sub>	V	400	
Rated impulse withstand voltage U <sub>imp</sub>	kV	4	
Insulation class	I		
IEC Conventional free air thermal current I <sub>th</sub>	A	10	
Resistance per pole (average value)	m?	<25	
Conductivity	10mA 5V		
<b>Mechanical features</b>			
Operating head fixing	Fixed		
Operating torque	N	15	
	lb	3.4	
Tightening torque (Max)			
Switch fixing	Nm	2.5	
	lbin	22.1	
Weight	g	286	
<b>Operations</b>			
Mechanical life	cycles	>10000000	
Mechanical operation	cycles/h	3600	
<b>Ambient conditions</b>			
Temperature			
Operating temperature	min	°C	-25
	max	°C	+70
Storage temperature	min	°C	-40
	max	°C	+70
<b>Resistance &amp; Protection</b>			
IP degree	Body housing	IP67	
Pollution degree	3		
<b>Dimensions</b>			



### Wiring diagrams

## Snap action



## 1NO + 1NC

### Certifications and compliance

#### Compliance

CSA C22.2 n° 14.

IEC/EN 60947-1

IEC/EN 60947-5-1

UL508

#### Certificates

cULus

EAC

### ETIM classification

ETIM 8.0

EC000030 - End  
switch